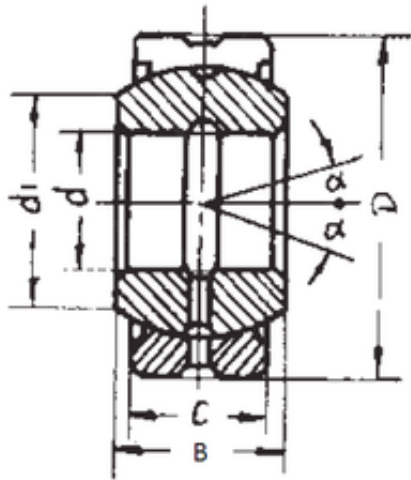




New Line Axis Co.



120 mm x 180 mm x 85 mm FBJ GE120ES-2RS
Rodamientos Deslizantes

Bearing No. GE120ES-2RS

Size	120x180x85 mm
Bore Diameter	120 mm
Outer Diameter	180 mm
Width	85 mm
d	120 mm
D	180 mm
B	85 mm
C	70 mm
d1	130 mm
Angle	6 °
Weight	8,05 Kg
Basic dynamic load rating (C)	950 kN

GE120ES-2RS Bearing 2D drawings and 3D CAD models